



## Anchoring to Surface

### TWO RECOMMENDED METHODS OF ATTACHMENT:

1. Affix Planter Base before Basin
2. Affix Planter Assembly as a Single Unit

*Installation method determines tools needed.*

### Method 1: Affix Planter Base before Basin (Planter Basin must be empty)



**Check with Public Works to confirm acceptable standards for anchoring temporary or permanent structures to roadway surfaces.**

#### TOOLS REQUIRED:

Chalk or marking implement (Sharpie)  
Hammer Drill  
Masonry Bit ½"  
Impact Wrench & ¾" Socket  
Socket Extension

**1**



Remove STEELGREEN Planter Basin from Base (four carriage bolts).

**2**



Place Base in desired location.  
Mark four Base attachment points with chalk or marker.  
Set Base aside.

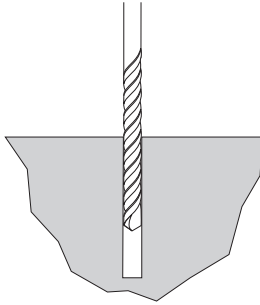




Anchoring to Surface

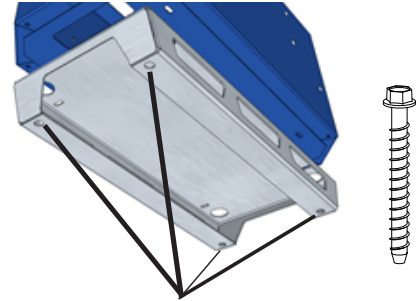
Method 1 - Continued

3



Drill four anchor holes. Clear dust and debris. Re-set Base in desired location.

4



Anchor points, Planter Base to surface

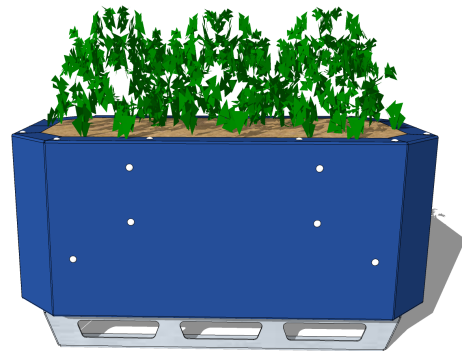
Using impact wrench, anchor Base in all four corners with the 1/2" Titen Anchors.

5



Re-attach Planter Basin to Base with four carriage bolts.

6



Add sub-base or gravel material per spec, planting medium and desired plant material.



## Anchoring to Surface

---

### Method 2: Affix Planter Assembly as a Single Unit (Planter Basin can be empty or full)

---

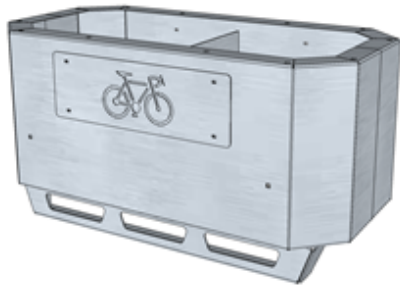


**Check with Public Works to confirm acceptable standards for anchoring temporary or permanent structures to roadway surfaces.**

#### TOOLS REQUIRED:

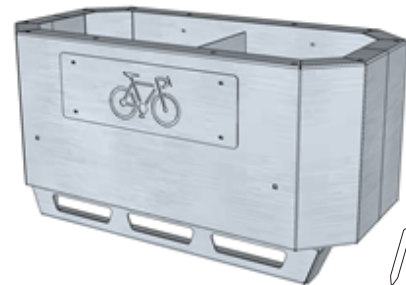
Chalk or marking implement (Sharpie)  
Hammer Drill  
5/8" Masonry Bit (8-12")  
Construction epoxy  
Four ½" threaded galvanized rods (8"-12" long)  
Four 1/2" nut and lock washers

**1**



Place Planter Assembly (Base with Basin attached) on site in desired location.

**2**

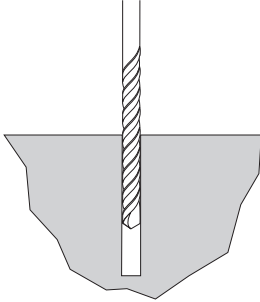


Mark four Base attachment points with chalk or marker. Set Planter Assembly aside.

Anchoring to Surface

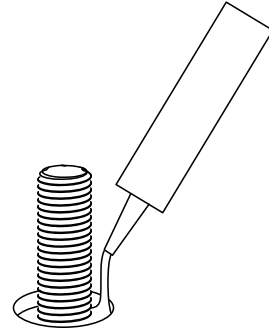
**Method 2 - Continued**

**3**



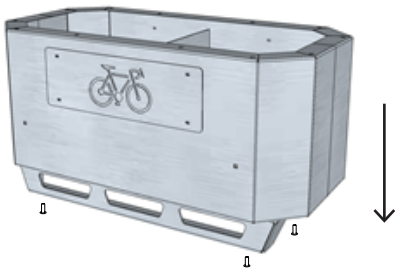
Drill four 5/8" anchor holes at 8" to 12" depth. Clear dust and debris.

**4**



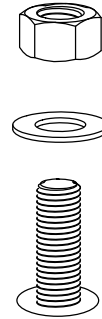
Insert construction epoxy and rod sections into the drill holes.

**5**



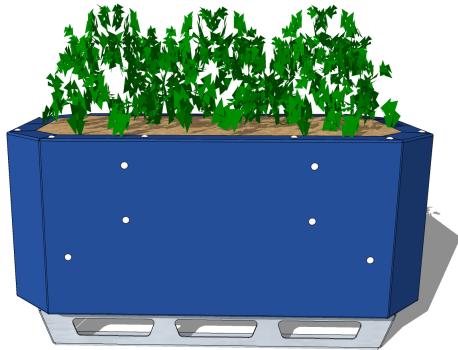
Reset Planter assembly over threaded rods.

**6**



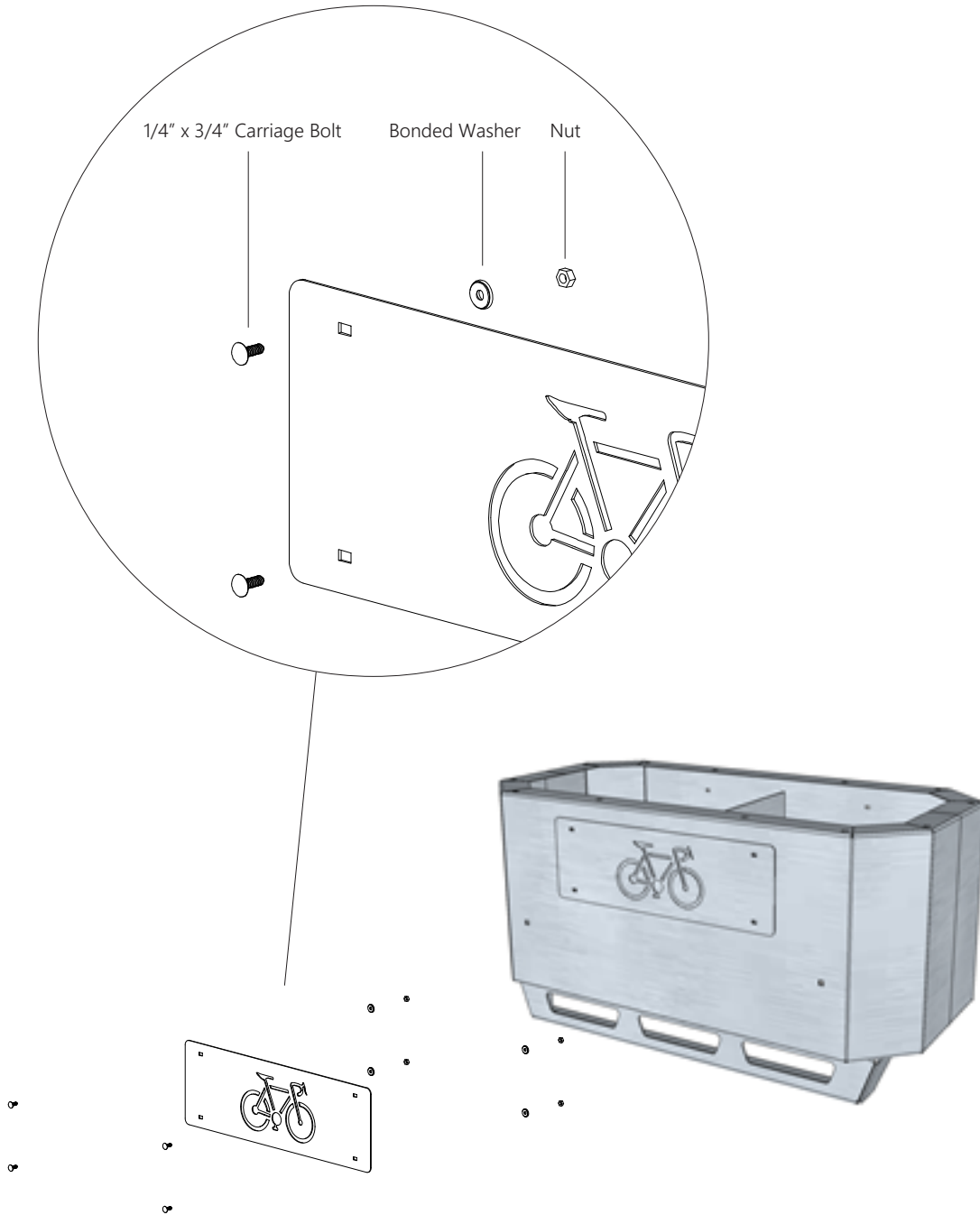
Allow construction epoxy to cure prior to placing the 1/2" nuts and washers on rods. Tighten all nuts.

**7**

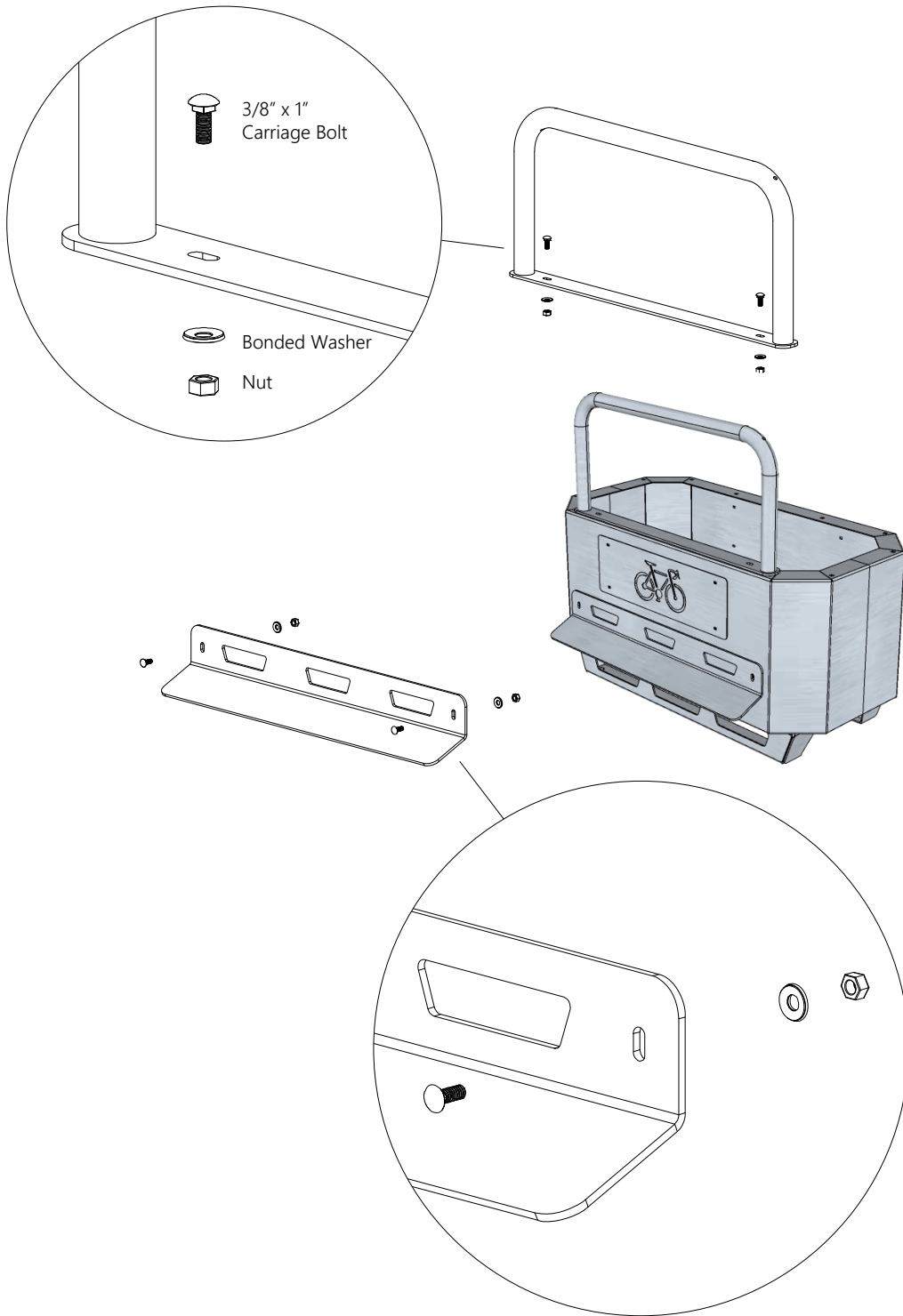


Add sub-base or gravel material per spec, planting medium and desired plant material.

Attaching INFOPANEL™



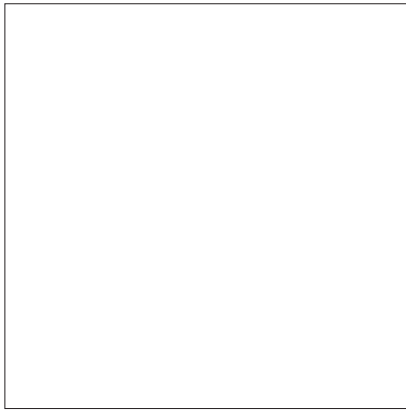
Attaching PEDISTILL®



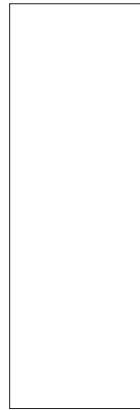
## Adding Insulation

---

To insulate the STEELGREEN Planter, cut 2" thick foam insulation to the following sizes and glue to inner walls of planter:



(4) 18" x 18"



(4) 18" x 6"



(2) 18" x 12"