

# Installation Instructions

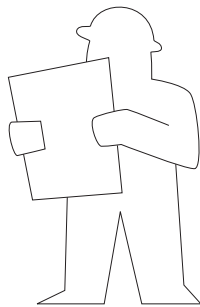
## TOOLS NEEDED

Hammer drill  
 Masonry bit (see specific anchor specs for drill size)  
 Hammer  
 Socket wrench and sockets

Socket extension, 4-6"  
 1/2" Hex bit socket  
 Tape measure  
 Chalk line

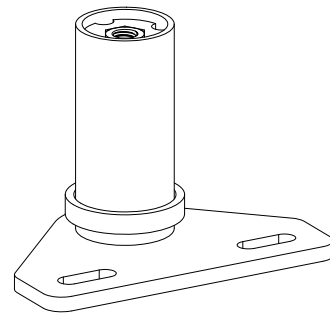
**Check with Public Works to confirm acceptable standards for anchoring temporary or permanent structures to roadway surfaces.**

**1**



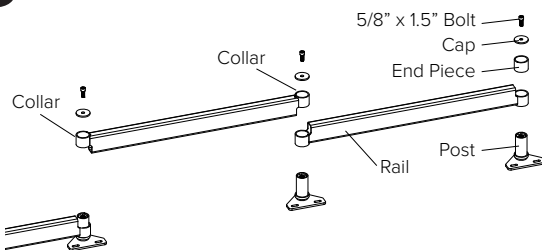
Refer to specific site plans to properly place the BIKERAIL™ system.

**2**



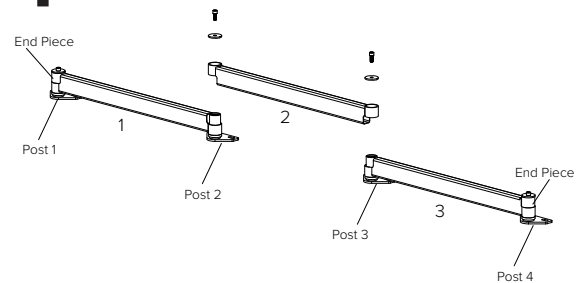
Place the first Post and anchor it to the ground with the specified anchors. If snow plowing is a consideration, orient Posts so that anchor holes are on the bike lane side of the barrier. Place the next few Posts on the ground without anchoring them.

**3**



The Rails can now be attached to the Posts.  
**Linear configurations:** the first and last Posts will accept an End Piece and a Rail; all other Posts will accept 2 Rails.  
**Closed configurations:** must consist of an even number of Rails.

**4**

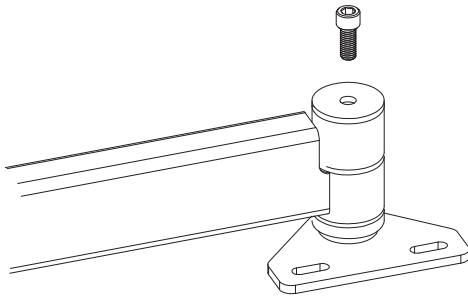


Attach **first** Rail (to first and second Posts) with Collars **DOWN**. Slide End Piece onto first Post. Attach **third** Rail (to third and fourth Posts) with Collars **DOWN**.  
 Now attach **second** Rail (to second and third Posts) with Collars **UP**.  
 Repeat process until all Rail sections are attached to Posts.

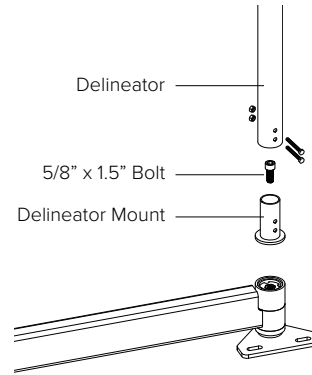


# Installation Instructions

---

**5**

For Posts with no Traffic Delineator, loosely attach Cap with 5/8" x 1.50" Bolt.

**6**

For Posts requiring a Traffic Delineator, loosely attach Delineator Mount to Post with 5/8" x 1.50" Bolt. Attach Delineator and secure with two (2) 1/4" x 2.75" Bolts and Nuts.

**7**

Confirm that the BIKERAIL™ assembly is properly placed, and then tighten all 5/8" x 1.50" Bolts.

Finally, drill anchor holes and anchor all the Posts to the ground.

